

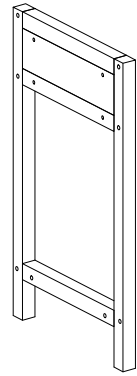
ASSEMBLY INSTRUCTION

5675XXX 1 DRAWER WIDE NIGHTSTAND

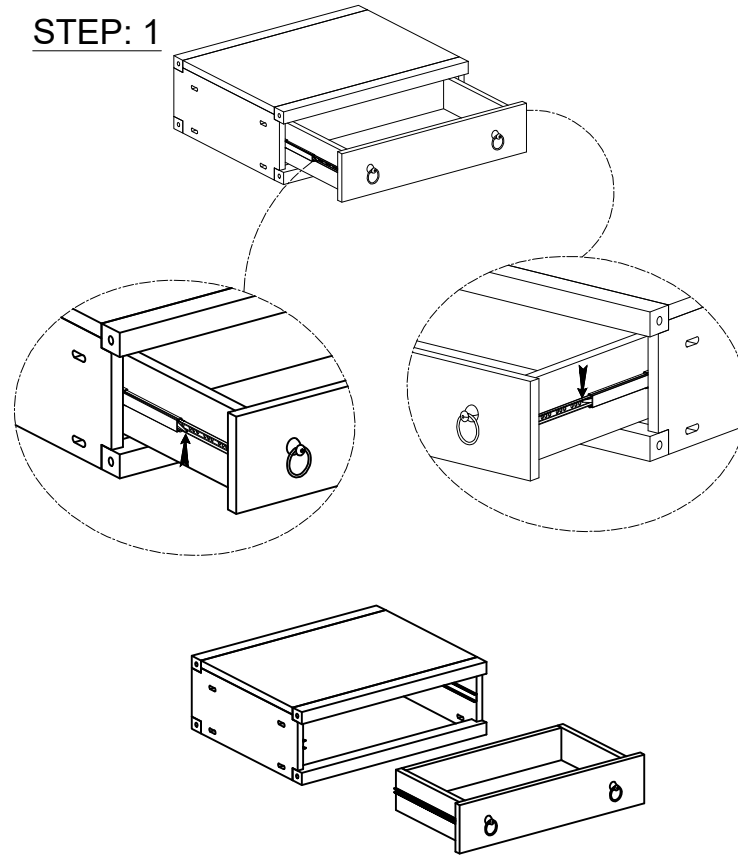
PART LIST

DO NOT FULLY TIGHTEN SCREWS AND NUTS UNTIL THE ENTIRE ITEM IS COMPLETELY ASSEMBLED

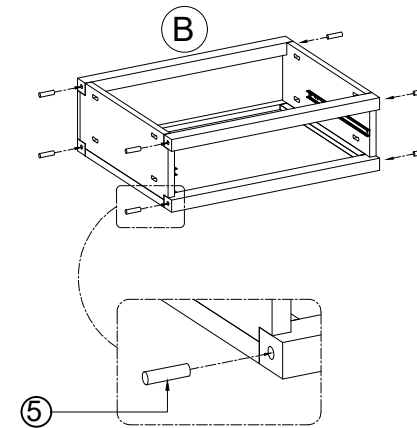
A : 2 pcs



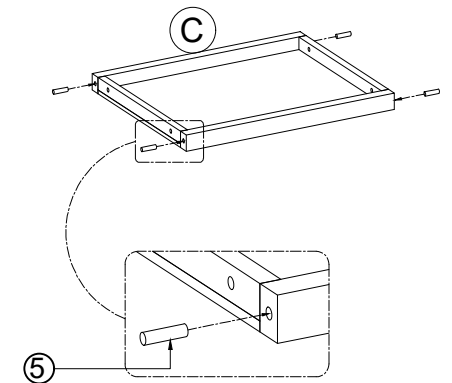
STEP: 1



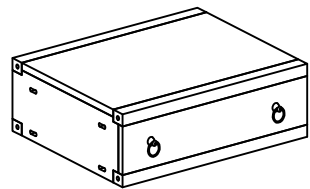
STEP: 2



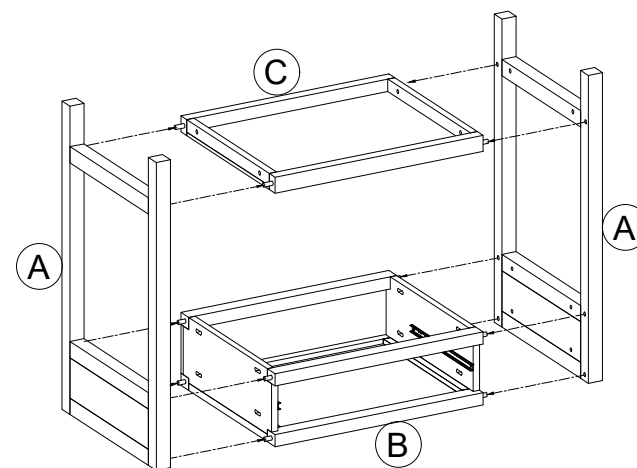
STEP: 3



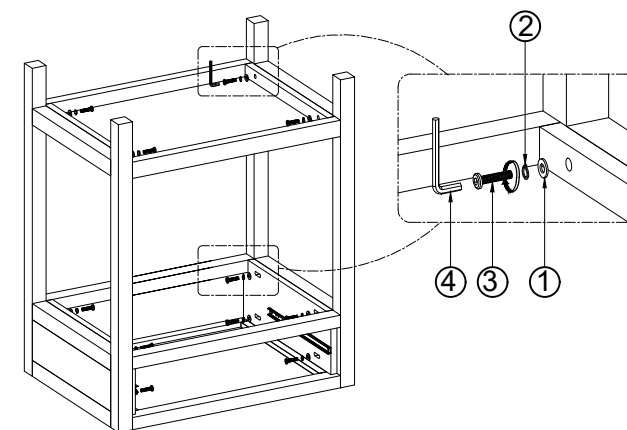
B : 1 pc



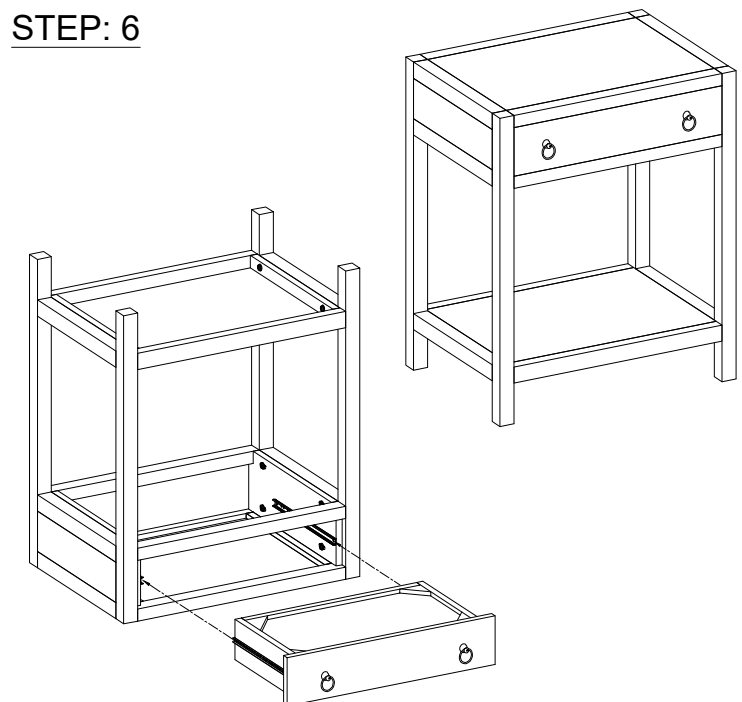
STEP: 4



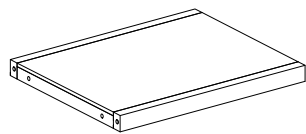
STEP: 5



STEP: 6



C : 1 pc



HARDWARE LIST

| NO | QUANTITY | PICTURE | QTY |
|----|--------------------|---------|-----|
| 1 | Washer M8*19 x 2 | | 12 |
| 2 | Washer M8 | | 12 |
| 3 | Bolt M8 x 35 | | 12 |
| 4 | Key | | 1 |
| 5 | Wooden Dowel 10x40 | | 12 |